

# SPECIFICATIONS

## CHICK-FIL-A SCRIPT LETTERS

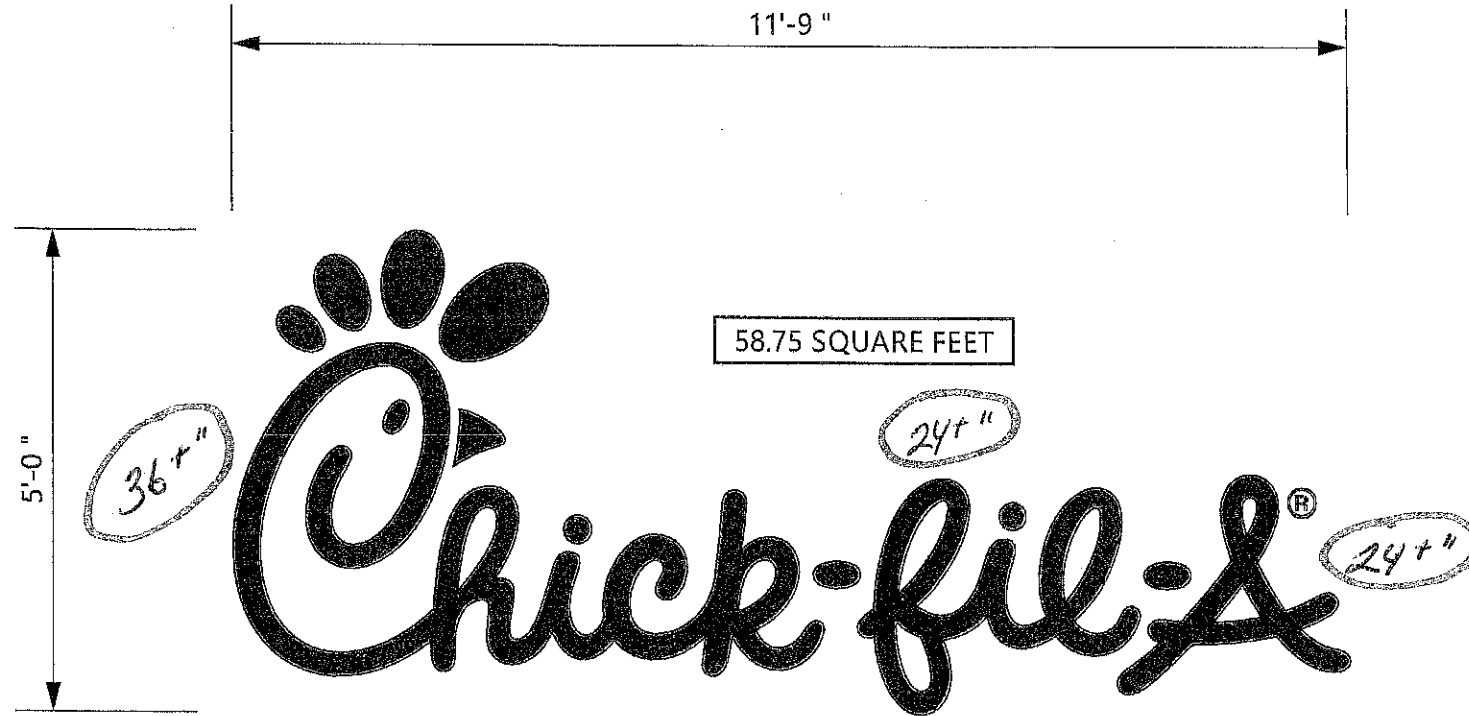
~~LETTERS ARE LED ILLUMINATED~~

CHANNEL LETTERS MOUNTED ON ALUMINUM SURFACE OF BUILDING WITH TRANSFORMERS REMOTELY LOCATED BEHIND THE WALL IN UL APPROVED TRANSFORMER BOXES. FACES ARE 3/16" ACRYLIC RETURNS ARE .063 ALUMINUM BACKS ARE .080 ALUMINUM ALL RETURNS ARE ARC-WELDED TO LETTER BACKS

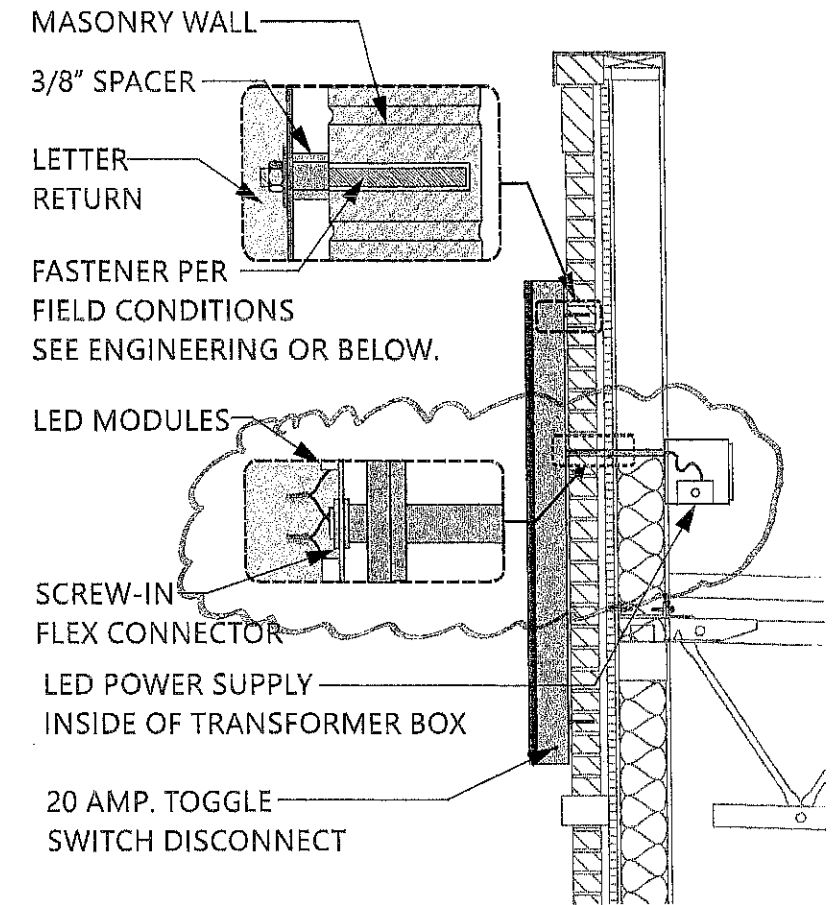
### CHANNEL LETTER FACES

2793 RED ACRYLIC  
TRIMCAP RETAINER-  
1" RED JEWELITE TRIMCAP

ALUMINUM RETURNS  
PAINTED TO MATCH  
SHERWIN WILLIAMS  
SW6108 LATTE



**ELEVATION**  
SCALE - 1/2" = 1'-0"



**FASTENER NOTE:**  
USE 18-8 STAINLESS STEEL BOLTS W/ SPACERS THRU EIFS. EXPANSION BOLTS IN CONCRETE OR BRICK WALLS. TOGGLE BOLTS IN CONCRETE BLOCK OR PANEL WALLS. TEK SCREWS IN METAL STUDS. LAG-BOLTS IN WOOD STUDS. ALL THREAD BOLTS WITH BLOCKING BETWEEN STUDS.

### CROSS-SECTION

SCALE - 1/2" = 1'-0"

CHANNEL LETTERS (RED ILLUMINATION)		WET LOCATION
 	LED'S JT8LS016R-0.4 RED LED POWER SUPPLY BL-120-12-60 POWER SUPPLY	 CONNECT THE AC LINE TO THE BLACK (LINE) AND WHITE (NEUTRAL) INPUT WIRES OF THE POWER SUPPLY USING 18-14 AWG TWIST ON WIRE CONNECTORS. GROUND POWER SUPPLY GREEN WIRE TO GROUNDING SCREW. REPLACE JUNCTION BOX COVER.
THIS SIGN IS INTENDED TO BE INSTALLED IN ACCORDANCE WITH REQUIREMENTS OF ARTICLE 600 OF THE NATIONAL ELECTRICAL CODE AND/OR APPLICABLE LOCAL CODES. THIS INCLUDES PROPER GROUNDING & BONDING OF THE SIGN.		



5198 North Lake Drive  
Lake City, GA 30260  
404.361.3800  
www.claytonsigns.com

HALO-ILLUMINATED  
REVERSE CHANNEL LETTERS

DRAWING FILE - CFA - SENOIA, GA SIGNAGE.CDR

ALL ELECTRICAL  
SIGNS ARE  
120 VOLTS  
UNLESS  
OTHERWISE INDICATED

DRAWN BY Ben Holliday  
ACCOUNT REP. Ben Holliday  
DRAWING DATE January 13, 2021  
REVISION DATE March 11, 2022

STORE NUMBER	STORE ADDRESS
L04876	Ch'ck-fil-A at Senoia, GA Wells Street (GA-16) Senoia, GA 30276

THIS DRAWING IS AN ORIGINAL, UNPUBLISHED DESIGN CREATED BY CLAYTON SIGNS, INC. IT IS NOT TO BE REPRODUCED, CHANGED, OR EXHIBITED TO ANYONE OUTSIDE OF YOUR COMPANY IN WHOLE OR IN PART WITHOUT WRITTEN PERMISSION FROM THE OWNER OF CLAYTON SIGNS, INC. ANY SUCH ACTIONS MAY BE SUBJECT TO LEGAL ACTION IN A COURT OF LAW.  
©2021 ALL RIGHTS RESERVED

LOCATION  
B, C, D

# SPECIFICATIONS

## CHICK-FIL-A ICON

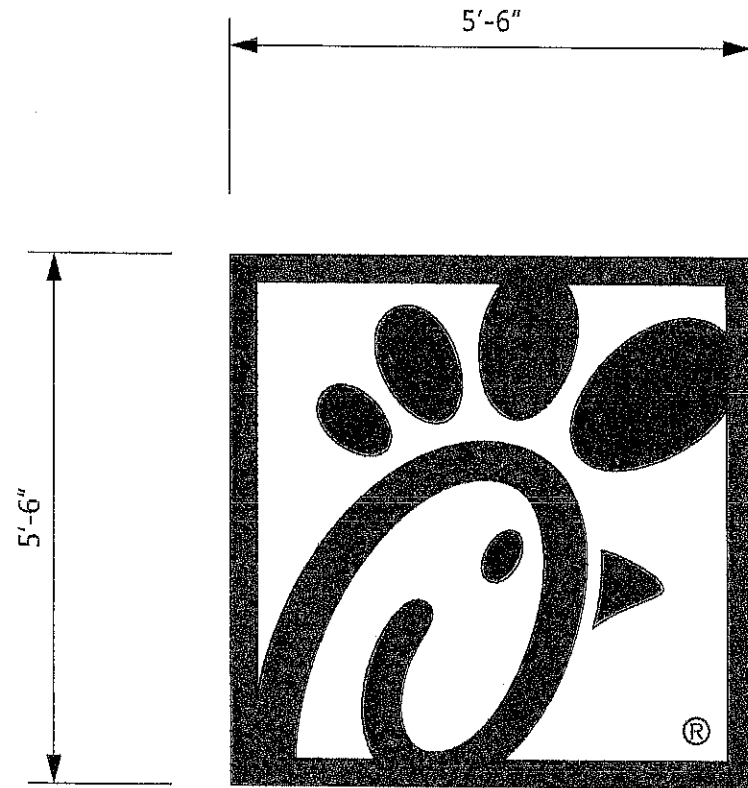
ICON IS LED ILLUMINATED

CHANNEL LETTER MOUNTED ON SURFACE OF BUILDING WITH TRANSFORMERS REMOTELY LOCATED BEHIND THE WALL IN UL APPROVED TRANSFORMER BOXES. FACES ARE 3/16" ACRYLIC RETURNS ARE .063 ALUMINUM BACKS ARE .080 ALUMINUM ALL RETURNS ARE ARC-WELDED TO LETTER BACKS

### CHANNEL LETTER FACES

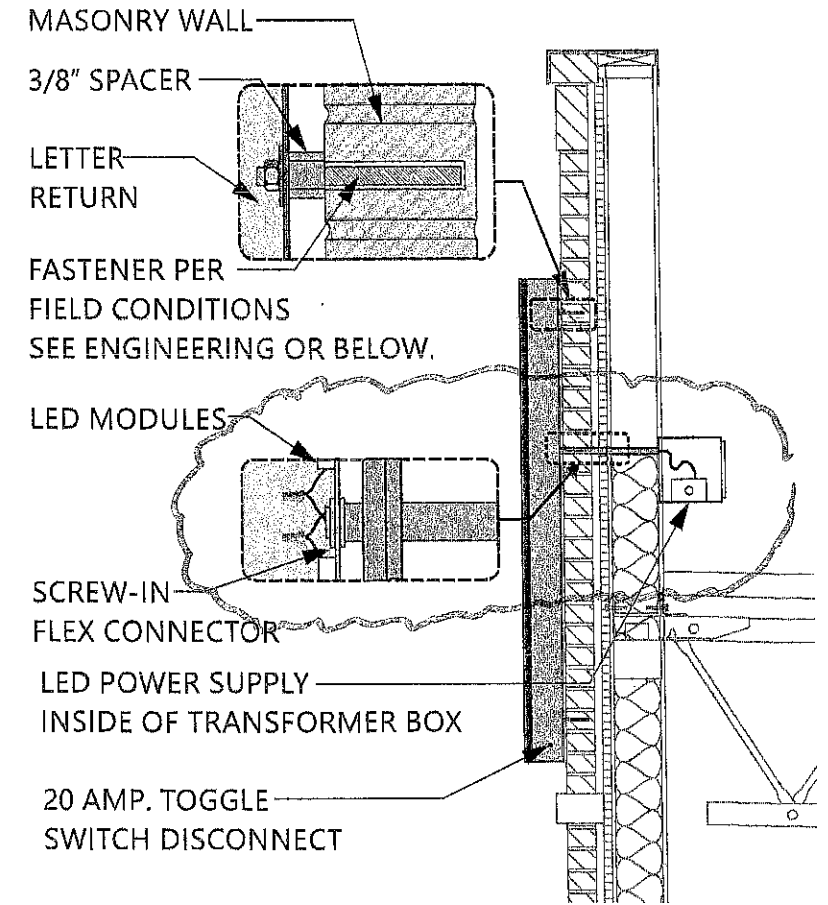
2793 RED ACRYLIC  
TRIMCAP RETAINER-  
1" RED JEWELITE TRIMCAP

ALUMINUM RETURNS  
PAINTED TO MATCH  
SHERWIN WILLIAMS  
SW6108 LATTE



**ELEVATION**  
SCALE - 1/2" = 1'-0"

30.25 SQUARE FEET



**FASTENER NOTE:**  
USE 18-8 STAINLESS STEEL BOLTS W/ SPACERS THRU EIFS.  
EXPANSION BOLTS IN CONCRETE OR BRICK WALLS.  
TOGGLE BOLTS IN CONCRETE BLOCK OR PANEL WALLS.  
TEK SCREWS IN METAL STUDS. LAG-BOLTS IN WOOD STUDS.  
ALL THREAD BOLTS WITH BLOCKING BETWEEN STUDS.

### CROSS-SECTION

SCALE - 1/2" = 1'-0"

	<b>CHANNEL LETTERS (RED ILLUMINATION)</b>	<b>WET LOCATION</b>
<p>LED'S JTSL5018R-0.4 RED LED POWER SUPPLY BL-120-12-00 POWER SUPPLY</p>		
<p>CONNECT THE AG LINE TO THE BLACK (LINE) AND WHITE (NEUTRAL) INPUT WIRES OF THE POWER SUPPLY USING 10-14 AWG TWIST ON WIRE CONNECTORS. GROUND POWER SUPPLY GREEN WIRE TO GROUNDING SCREW. REPLACE JUNCTION BOX COVER.</p>		
<p>THIS SIGN IS INTENDED TO BE INSTALLED IN ACCORDANCE WITH REQUIREMENTS OF ARTICLE 600 OF THE NATIONAL ELECTRICAL CODE AND/OR APPLICABLE LOCAL CODES. THIS INCLUDES PROPER GROUNDING &amp; BONDING OF THE SIGN.</p>		



5198 North Lake Drive  
Lake City, GA 30260  
404.361.3800  
www.claytonsigns.com

HALO-ILLUMINATED  
REVERSE CHANNEL ICON

DRAWING FILE - CFA - SENOIA, GA SIGNAGE.CDR

ALL ELECTRICAL  
SIGNS ARE  
120 VOLTS  
UNLESS  
OTHERWISE INDICATED

DRAWN BY Ben Holliday  
ACCOUNT REP. Ben Holliday  
DRAWING DATE January 13, 2021  
REVISION DATE March 11, 2022

STORE NUMBER	STORE ADDRESS
L04876	Chick-fil-A at Senoia, GA Wells Street (GA-16) Senoia, GA 30276

THIS DRAWING IS AN ORIGINAL, UNPUBLISHED DESIGN CREATED BY CLAYTON SIGNS, INC. IT IS NOT TO BE REPRODUCED, CHANGED, OR EXHIBITED TO ANYONE OUTSIDE OF YOUR COMPANY IN WHOLE OR IN PART WITHOUT WRITTEN PERMISSION FROM THE OWNER OF CLAYTON SIGNS, INC. ANY SUCH ACTIONS MAY BE SUBJECT TO LEGAL ACTION IN A COURT OF LAW.  
©2021 ALL RIGHTS RESERVED

LOCATION  
E