
MEMORANDUM

TO: HAROLD SIMMONS
FROM: J. CURTIS HINDMAN
SUBJECT: ROCKAWAY ROAD LIFT STATION #2 PUMP
DATE: 1/15/2020
CC: MAYOR, CITY COUNCIL

On December 26, 2020 the Number two pump at the Rockaway Road Lift Station Failed. This pump was last rebuilt in June of 2018 at a cost of 7,400.00 this was the second rebuild for this pump.

I am obtaining quotes to replace this pump at this time and request an emergency purchase not to exceed 25,000.00.

This pump purchased was not scheduled to be replaced in the 2021 budget year and may need to be a budget amendment.

Thank you for your consideration in this matter.

J. Curtis Hindman
Director Public Works



Goforth Williamson, inc.

Goforth Williamson, Inc.
 Mail To: 373 O'Dell Road
 Ship To: 377 O'Dell Road
 Griffin, GA 30224
 United States of America

Ph: 770-467-0303

Fax: 770-467-0301

Quote

ID: P216054 Date: 13-Jan-21

To

Senola, City of
 740 Rockaway Rd
 Senola, GA 30276
 United States of America

Quote To

Curtis Hindman
 City of Senola
 740 Rockaway Rd
 Senola, GA 30276
 United States of America

Terms		Ship Via		Salesperson
Net 30 Days		Pre-Pay& ADD		ACBRAM
Quantity	Description	Unit Price	Amount	
	Reference: Rockaway PS PER YOUR REQUEST, WE ARE PLEASED TO QUOTE THE FOLLOWING:			
	Line: 001 Expiration Date: 12-Feb-21 Part: 99267969 Rev: SEV:30.A30.335.2.52H.C.EX.60RZ Grundfos Submersible Solids Handling Pump 3" Discharge / 3-1/8" Solids Super Vortex Impeller 33.5HP 3551rpm 230/3/60 50' Cable Seal Leakage Detector / Winding Temp Switch			
1	ea	\$11,579.00	\$11,579.00	
	Line: 002 Expiration Date: 12-Feb-21 Part: POF-0400 HEX - 3" Rev: 4" Pullout Flange for 3" GR Replacement Pull-Out Flange Assembly (Individually Boxed) A - (1) Ductile Cast Iron Pull-Out Flange w/ Bronze Plates B - (1) Bronze Break-Away Ring & Hardware C - (1) Adapted Bronze Lower Guide Rail Plate FOR 3" Guide Rail & Hardware			
1	ea	\$1,020.00	\$1,020.00	
	Line: 003 Expiration Date: 12-Feb-21 Part: CHAIN KIT Rev: Includes: 25' of 3/8" SS chain w/ 1/2' SS shackles.			
1	ea	\$375.00	\$375.00	



Goforth Williamson, inc.

Goforth Williamson, Inc.
 Mail To: 373 O'Dell Road
 Ship To: 377 O'Dell Road
 Griffin, GA 30224
 United States of America

Ph: 770-467-0303

Fax: 770-467-0301

Quote

ID: P216054 Date: 13-Jan-21

To

Senoia, City of
 740 Rockaway Rd.
 Senoia, GA 30276
 United States of America

Quote To

Curis Hindman
 City of Senoia
 740 Rockaway Rd.
 Senoia, GA 30276
 United States of America

Terms		Ship Via		Salesperson
Net 30 Days		Pre-Pay& ADD		ACBRAM
Quantity	Description	Unit Price	Amount	
	Line: 004 Expiration Date: 12-Feb-21 Part: SENOIA SUBMERSIBLE INSTALL Rev: Rockaway Pump Station Installation to include:			
	<ul style="list-style-type: none"> • Travel to customer's well site • Wiring of pump to control panel • Check proper rotation of pump • Installation of new Grundfos pump w/ Flygt adapter and chain kit • Perform draw down test • Making station production ready • Check out with customer upon verification of operation • Cleaning of work area <p>Upon the above Scope of Work, should any additional work or additional parts not listed above be required, a revised Scope of Work and quote will be submitted. No additional work will be performed, or additional parts supplied prior to approval.</p>			
1	ea	\$950.00	\$950.00	
	Line: 005 Expiration Date: 12-Feb-21 Part: SHIPPING & HANDLING CHARGES Rev: Shipping & Handling Charges In Bound Standard Ground Shipping Charges			
1	ea	\$175.00	\$175.00	
	PLEASE NOTE: 1. Freight: FOB Origin, ground freight prepaid and charged to curbside of first location. 2. Price "does not" reflect Sales Tax, Documentation, Drawings, or Special Paperwork. 3. We can now accept Visa, Mastercard, American Express and Discover. Please contact us if you would like to pay via credit card. A 5% surcharge will be added to the invoice amount. 4. GWI will provide 1-year warranty on workmanship and materials from the date	Total:	\$14,099.00	



Goforth Williamson, inc.

Goforth Williamson, Inc.
 Mail To: 373 O'Dell Road
 Ship To: 377 O'Dell Road
 Griffin, GA 30224
 United States of America

Ph: 770-467-0303

Fax: 770-467-0301

Quote	
ID: P216064	Date: 13-Jan-21

To

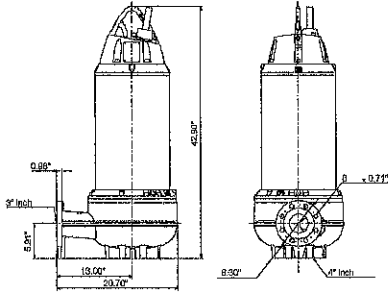
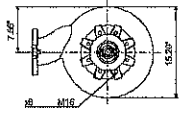
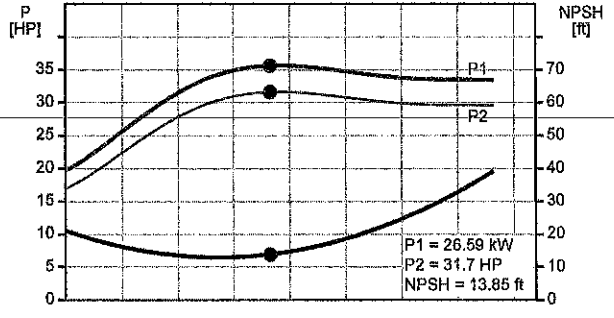
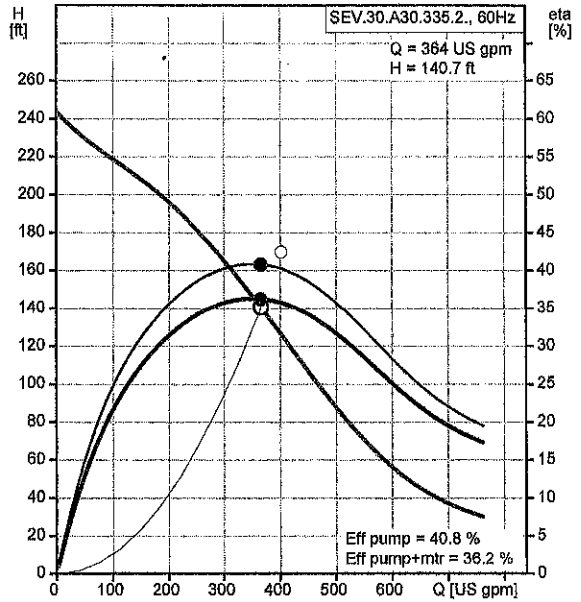
Senola, City of
 740 Rockaway Rd.
 Senola, GA 30276
 United States of America

Quote To

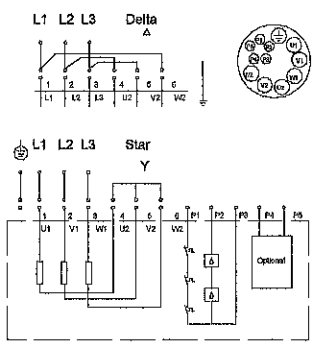
Curtis Hindman
 City of Senola
 740 Rockaway Rd
 Senola, GA 30276
 United States of America

Terms		Ship Via		Salesperson
Net 30 Days		Pre-Pay& ADD		ACBRAM
Quantity	Description	Unit Price	Amount	
	of delivery 5. Please reference Quote on Purchase order and send your Purchase orders to PurchaseOrders@GoforthWilliamson.com			
	THANK YOU FOR THE OPPORTUNITY TO PROVIDE THIS QUOTE. PLEASE CALL 770-467-0303, OR YOUR SALES REP, IF YOU HAVE ANY QUESTIONS.			

Description	Value
General information:	
Product name:	SEV.30.A30.335.2.52H.C.EX.60 R.Z
Product No.:	99267969
EAN:	5713826282585
Price:	
Technical:	
Actual calculated flow:	364 US gpm
Maximum flow:	762 US gpm
Max flow:	762 US gpm
Resulting head of the pump:	140.7 ft
Head max:	216.5 ft
Type of impeller:	Super Vortex
Maximum particle size:	3 1/8 in
Primary shaft seal:	SIC-SIC
Secondary shaft seal:	SIC-CARBON
Curve tolerance:	ANSI/HI11.6:2012 3B
Cooling jacket:	with cooling jacket
Materials:	
Pump housing:	Cast iron
Pump housing:	EN 1561 EN-GJL-250
Pump housing:	ASTM ASTM A48 35B
Impeller:	Cast iron
Impeller:	EN 1563 EN-GJS-500-7
Impeller:	ASTM ASTM A536 70-50-05
Motor:	Cast iron
Motor:	EN 1561 EN-GJL-250
Motor:	ASTM ASTM A48 35B
Installation:	
Maximum ambient temperature:	104 °F
Flange standard:	ANSI
Pump inlet:	4 inch
Pump outlet:	3 inch
Pressure stage:	PN 10
Maximum installation depth:	65.6 ft
Installation:	C
Inst dry/wet:	D/S
Installation:	vertical
Auto-coupling:	97626239
Inst vertical:	96845469
Base stand:	97632229
Frame range:	52
Liquid:	
Pumped liquid:	any viscous fluid
Liquid temperature range:	32 .. 104 °F
Density:	62.29 lb/ft³
Electrical data:	
Power input - P1:	28 kW
Rated power - P2:	33.5 HP
Main frequency:	60 Hz
Rated voltage:	3 x 230 V
Voltage tolerance:	+10/-10 %
Max starts per. hour:	20
Rated current:	82/ A
Maximum current consumption:	82 A
Starting current:	723 A
Rated current at no load:	23.3 A
Rated speed:	3551 rpm



Wiring diagram. 12-wire cable



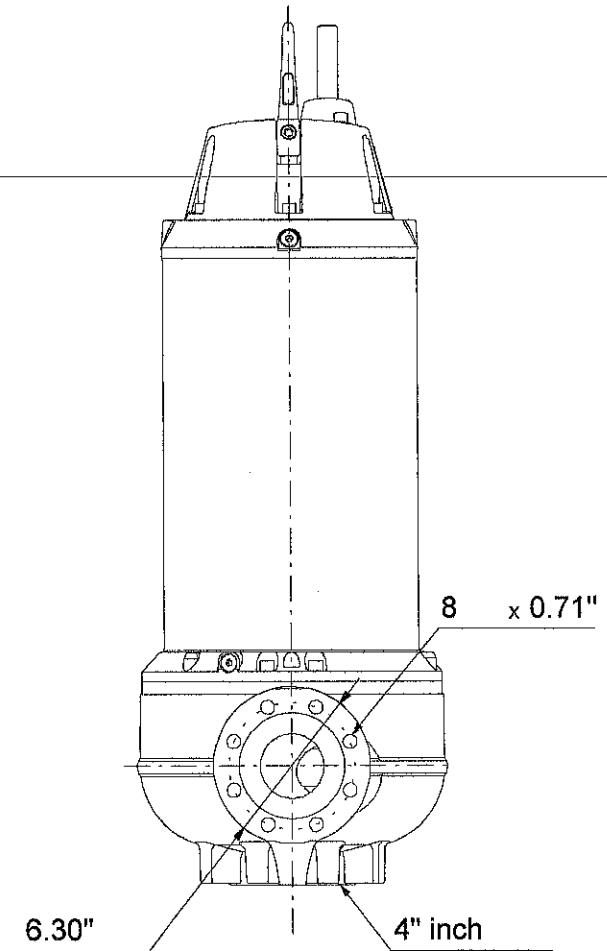
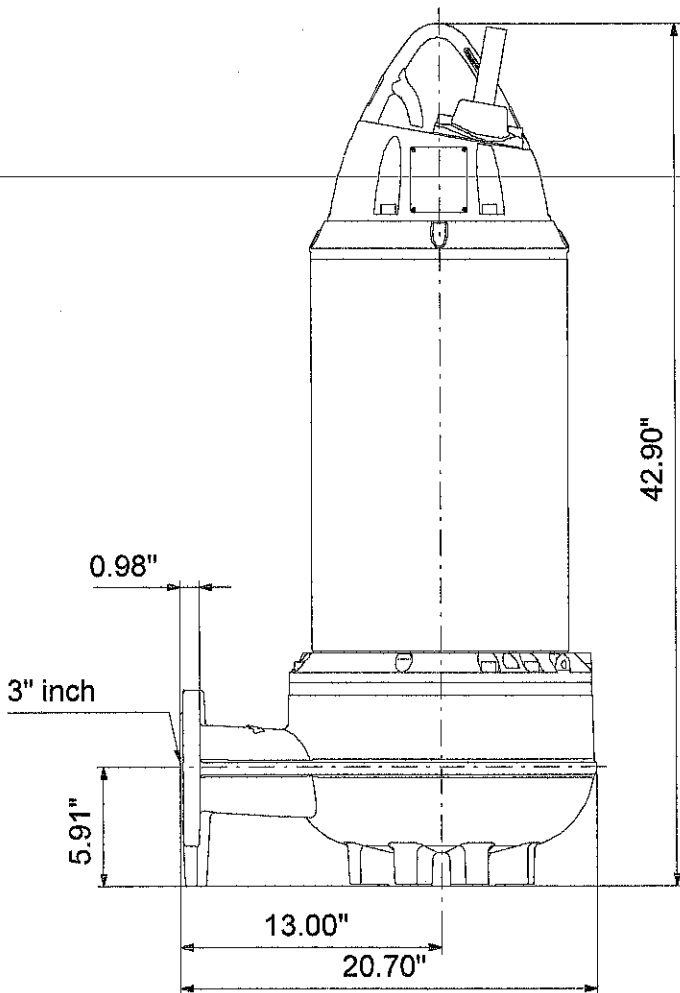
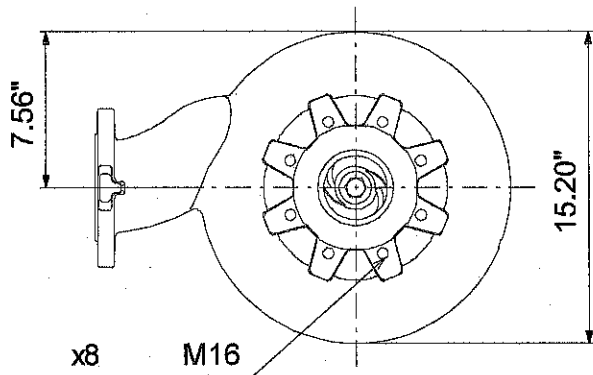


Company name:
Created by:
Phone:

Date: 1/20/2021

Description	Value
Motor efficiency at full load:	89 %
Motor efficiency at 3/4 load:	88 %
Motor efficiency at 1/2 load:	86 %
Number of poles:	2
Start. method:	direct-on-line
Enclosure class (IEC 34-5):	IP68
Insulation class (IEC 85):	H
Explosion proof:	yes
Motor protection:	KLIXON
Length of cable:	49.2 ft
Cable type:	S1BC4N8-F
Cable size:	3X16 + 5X1
Cable resistance:	1.21 mOhm/m
Winding resistance:	0.088 Ohm
Cos phi 1/1:	0.86
Cos phi 1/2:	0.66
Cos phi 3/4:	0.79
Controls:	
Moisture sensor:	with moisture sensors
Others:	
Net weight:	759 lb
Sales region:	Namreg
Country-of-origin:	US

99267969 SEV.30.A30.335.2.52H.C.EX.60R.Z 60 Hz

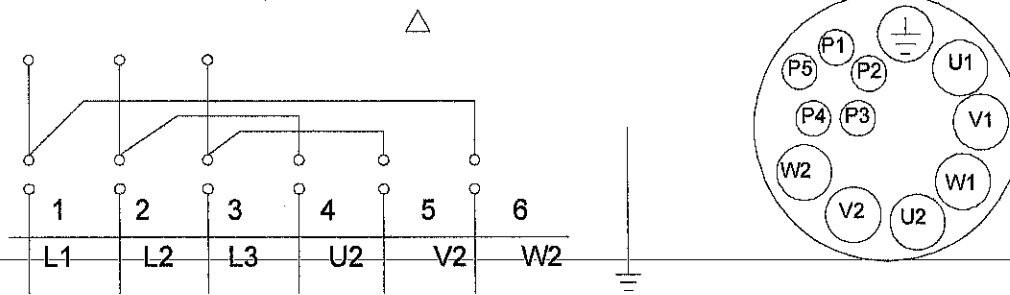



Note! All units are in [in] unless otherwise stated.
Disclaimer: This simplified dimensional drawing does not show all details.

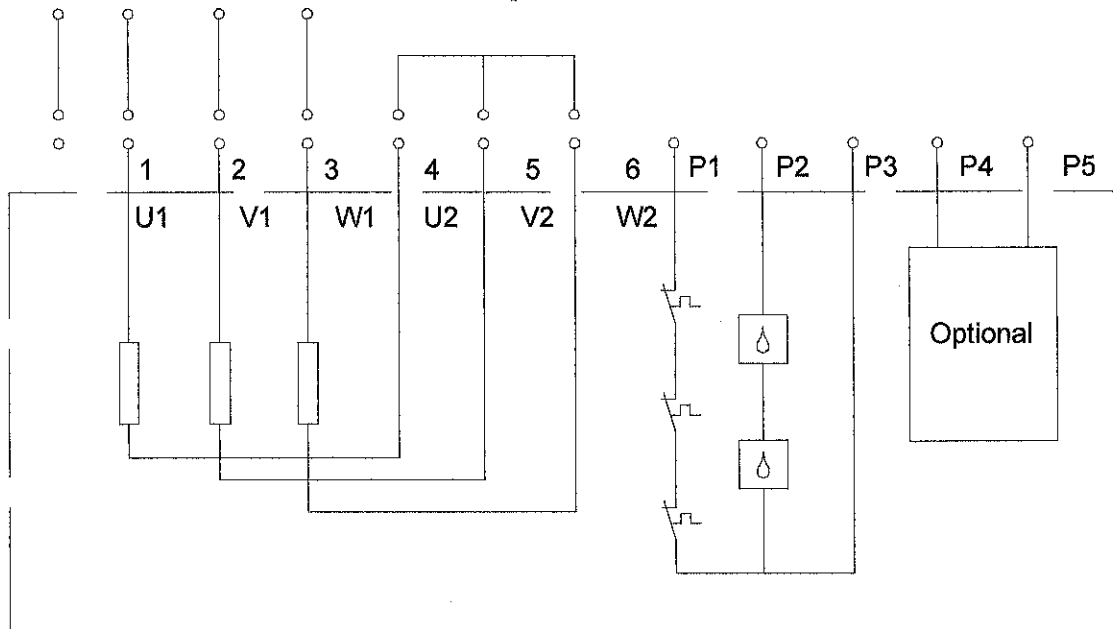
99267969 SEV.30.A30.335.2.52H.C.EX.60R.Z 60 Hz

Wiring diagram. 12-wire cable

L1 L2 L3 Delta

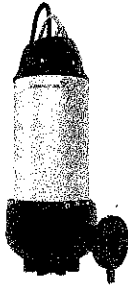


 L1 L2 L3 Star Y



All units are [in] unless otherwise presented.

PROJECT: _____	UNIT TAG: _____	QUANTITY: _____
REPRESENTATIVE: _____	TYPE OF SERVICE: _____	DATE: _____
ENGINEER: _____	SUBMITTED BY: _____	DATE: _____
CONTRACTOR: _____	APPROVED BY: _____	DATE: _____
	ORDER NO.: _____	DATE: _____

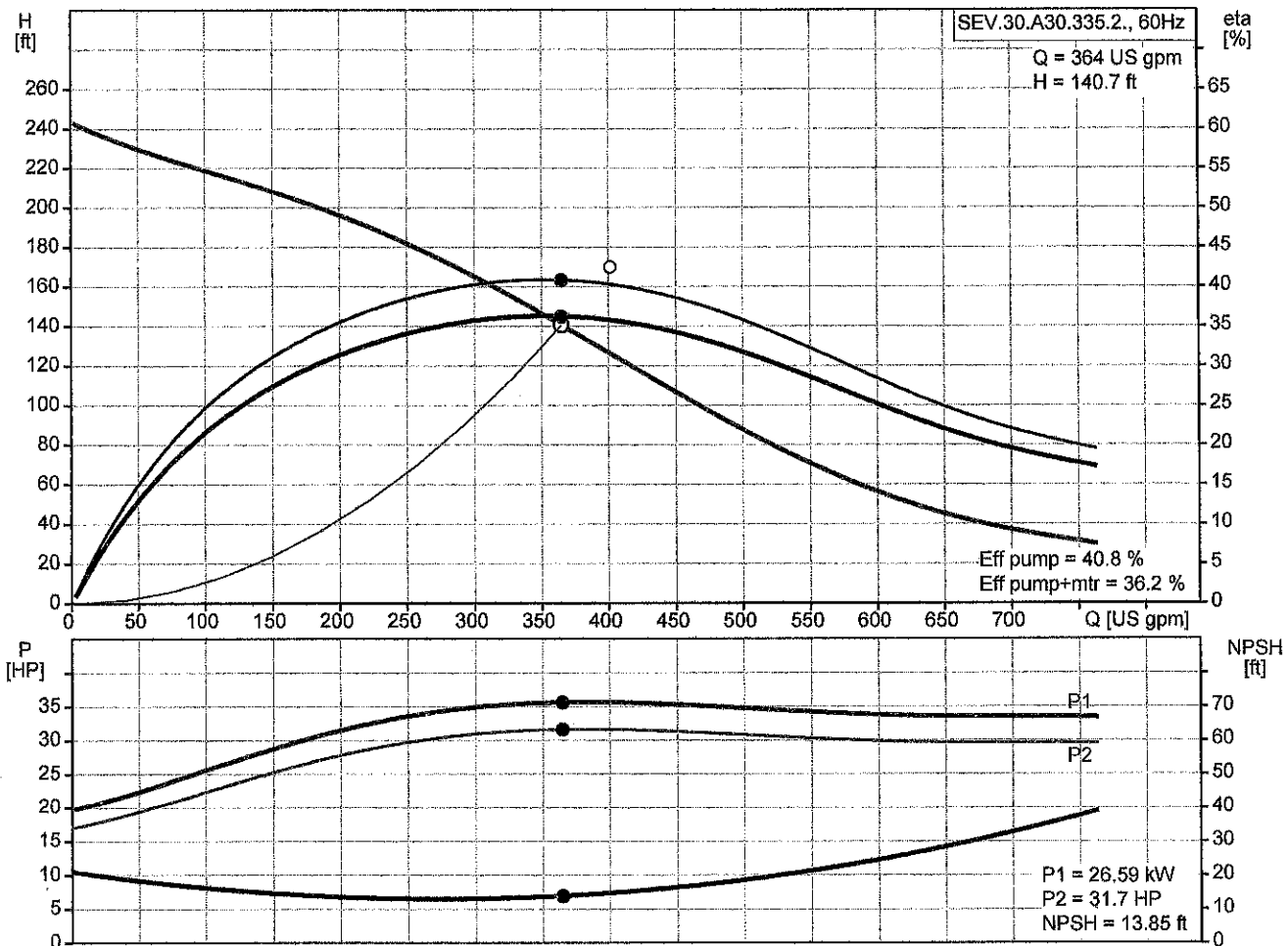


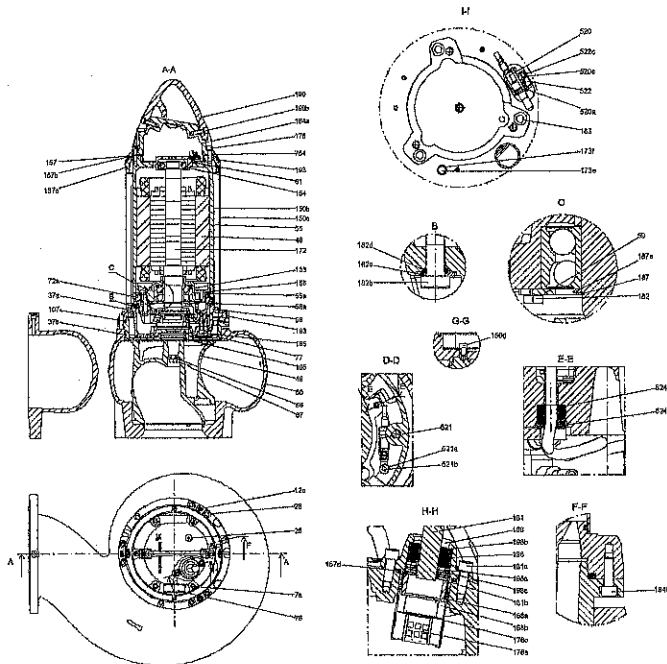
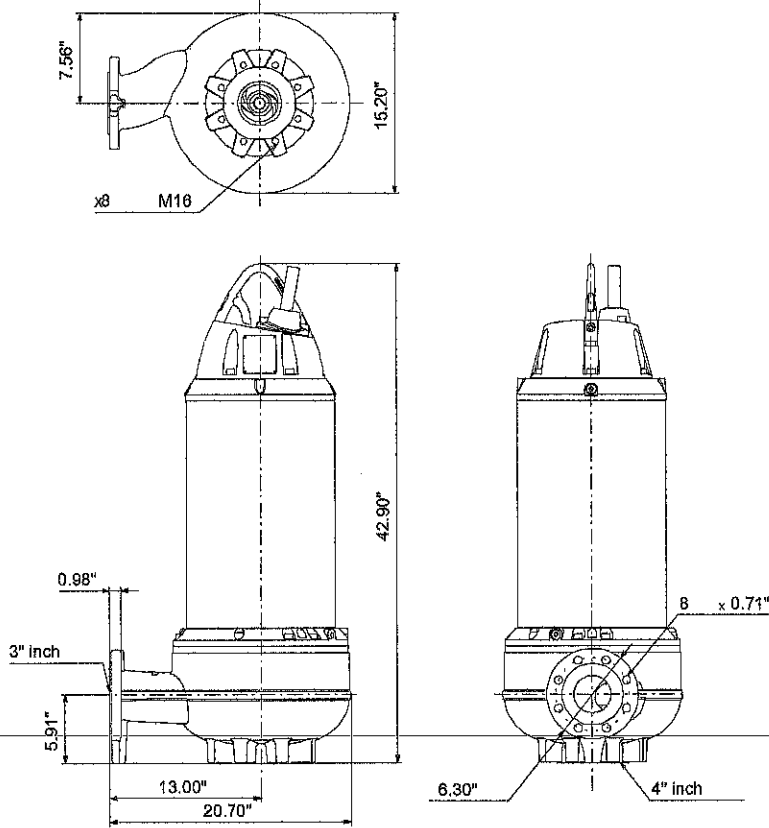
Product photo could vary from the actual product

SEV.30.A30.335.2.52H.C.EX.60R.Z

SE range combines operational reliability with high total efficiency for submerged and dry installations. These pumps are built from 12-42HP for municipal, industrial and domestic wastewater, drainage and surface water, and process water.

Conditions of Service		Pump Data		Motor Data	
Flow:	364 US gpm	Liquid temperature range:	32 .. 104 °F	Rated voltage:	230 V
Head:	140.7 ft	Maximum ambient temperature:	104 °F	Main frequency:	60 Hz
Efficiency:	36.2 %	Flange standard:	ANSI	Number of poles:	2
Liquid:	any viscous fluid	Product number:	99267969	Enclosure class:	IP68
NPSH required:	13.85 ft			Insulation class:	H
Specific Gravity:	1.000			Motor protection:	KLIXON
				Eff. 1/1:	89 %





Materials:

- Pump housing: Cast iron
- Pump housing: EN 1561 EN-GJL-250
- Pump housing: ASTM ASTM A48 35B
- Impeller: Cast iron
- Impeller: EN 1563 EN-GJS-500-7
- Impeller: ASTM ASTM A536 70-50-05
- Motor: Cast iron
- Motor: EN 1561 EN-GJL-250
- Motor: ASTM ASTM A48 35B

Count	Description
-------	-------------

1 SEV.30.A30.335.2.52H.C.EX.60R.Z



Product photo could vary from the actual product

Product No.: 99267969

The SEV/SLV pumps, 9 - 30 kW, are a range of free-flow impeller pumps specifically designed for pumping sewage and wastewater in a wide range of municipal and industrial applications.

The SEV/SLV pump has a SuperVortex impeller with 3 1/8 in free passage and is designed for applications such as:

- wastewater treatment plants
- municipal pumping stations
- public buildings
- blocks of apartments
- industries

- garages
- underground car parks
- car wash areas
- restaurants and hotels.

The pumps are suitable for both temporary and permanent installation. The lifting bracket fitted on the pumps facilitates easy transportation to as well as installation at the installation site.

The pumps are made of resistant materials, such as cast iron and stainless steel. These materials ensure proper operation.

The pump is very service friendly with features like double shaft seal in the unique cartridge design and cable entry connector.

The cartridge shaft seal allows change of shaft seal very quickly in the field without any special tools whereas the cable entry connector allows the cable to be dismantled without removing the motor top.

These smartdesing features eliminates the risk of faulty installation.

The pumpmp comes with a high efficient Grundfos Blueflux motor.

The SLV version is for submersible installation either free-standing or on an auto-coupling system whereas the SEV pump can be used for dry-installation as either free-standing, on autocoupling or vertically/horizontally installed on baseplate.

Controls:

Moisture sensor: with moisture sensors

Liquid:

Pumped liquid: any viscous fluid

Liquid temperature range: 32 .. 104 °F

Density: 62.29 lb/ft³

Technical:

Actual calculated flow: 364 US gpm

Resulting head of the pump: 140.7 ft

Type of impeller: Super Vortex

Maximum particle size: 3 1/8 in

Primary shaft seal: SIC-SIC

Secondary shaft seal: SIC-CARBON

Count	Description
	Curve tolerance: ANSI/HI11.6:2012 3B
	Materials:
	Pump housing: Cast iron EN 1561 EN-GJL-250 ASTM ASTM A48 35B
	Impeller: Cast iron EN 1563 EN-GJS-500-7 ASTM ASTM A536 70-50-05
	Motor: Cast iron EN 1561 EN-GJL-250 ASTM ASTM A48 35B
	Installation:
	Maximum ambient temperature: 104 °F
	Flange standard: ANSI
	Pump inlet: 4 inch
	Pump outlet: 3 inch
	Pressure stage: PN 10
	Maximum installation depth: 65.6 ft
	Auto-coupling: 97626239
	Inst vertical: 96845469
	Base stand: 97632229
	Frame range: 52
	Electrical data:
	Power input - P1: 28 kW
	Rated power - P2: 33.5 HP
	Main frequency: 60 Hz
	Rated voltage: 3 x 230 V
	Voltage tolerance: +10/-10 %
	Max starts per. hour: 20
	Rated current: 82/ A
	Maximum current consumption: 82 A
	Starting current: 723 A
	Rated current at no load: 23.3 A
	Rated speed: 3551 rpm
	Motor efficiency at full load: 89 %
	Motor efficiency at 3/4 load: 88 %
	Motor efficiency at 1/2 load: 86 %
	Number of poles: 2
	Start. method: direct-on-line
	Enclosure class (IEC 34-5): IP68
	Insulation class (IEC 85): H
	Explosion proof: yes
	Length of cable: 49.2 ft
	Cable type: S1BC4N8-F
	Winding resistance: 0.088 Ohm
	Cos phi 1/1: 0.86
	Cos phi 1/2: 0.66
	Cos phi 3/4: 0.79
	Others:
	Net weight: 759 lb
	Country of origin: US