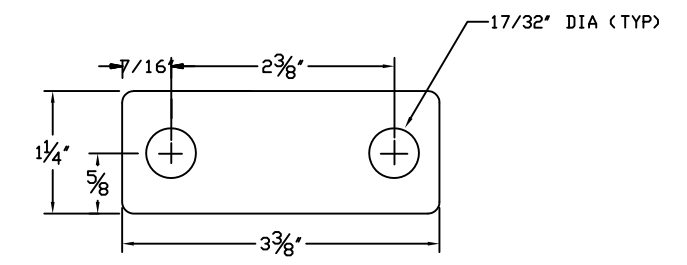
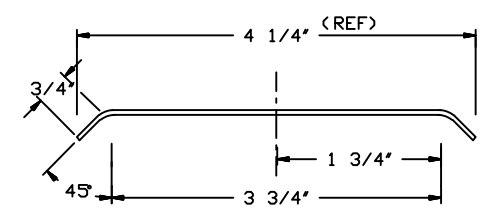
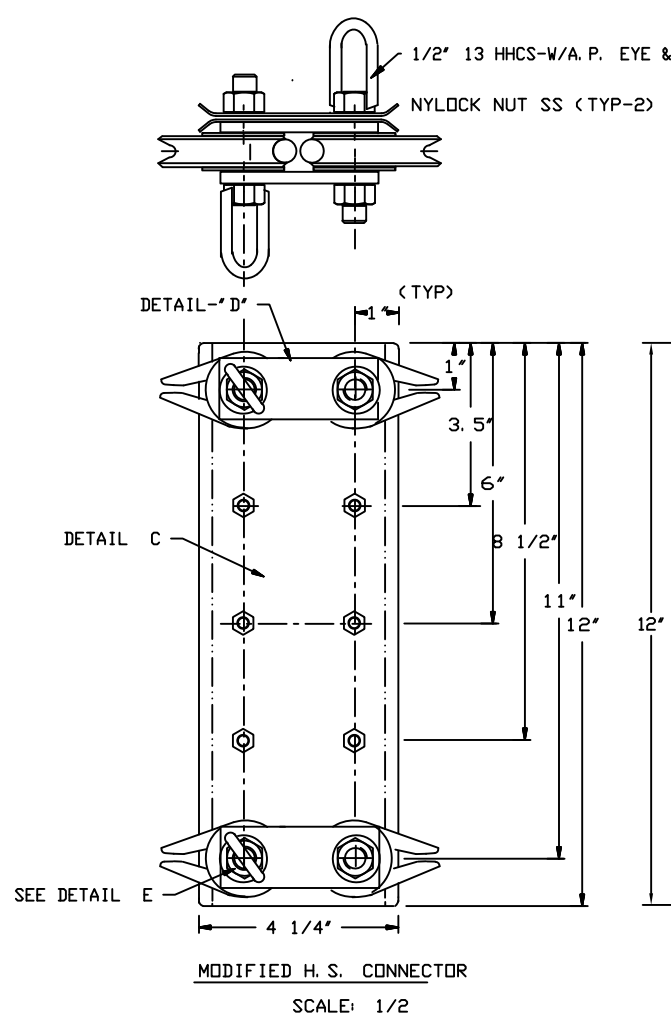
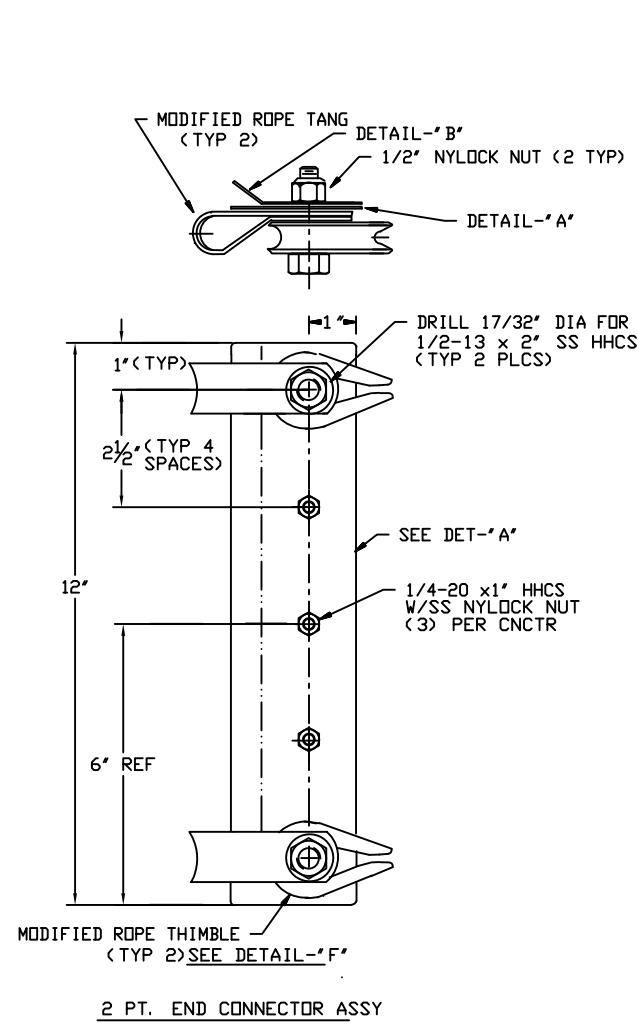
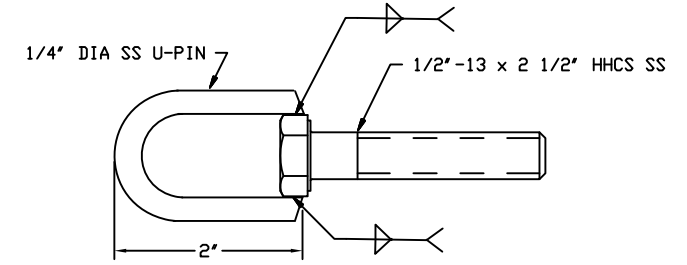
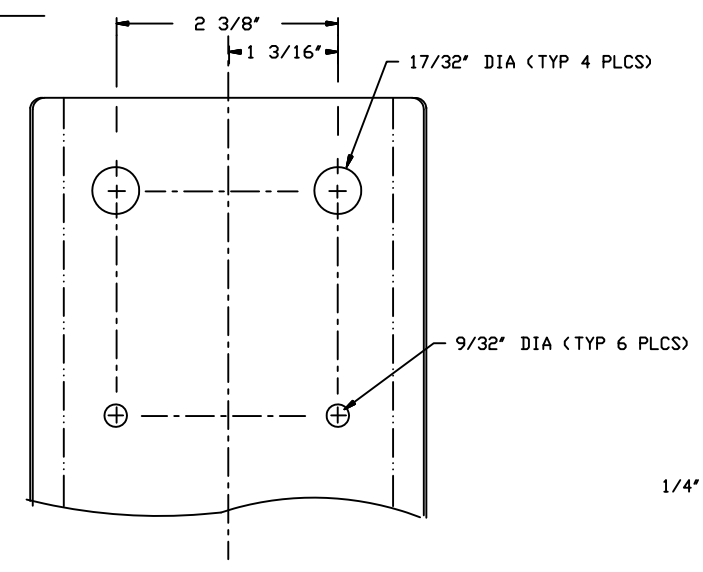


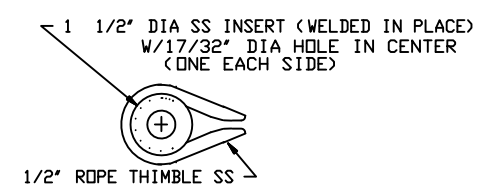
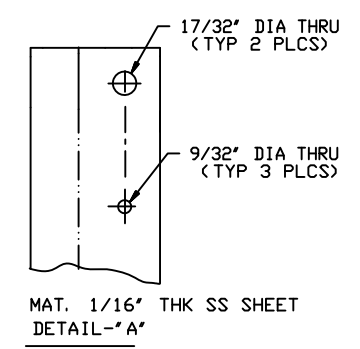
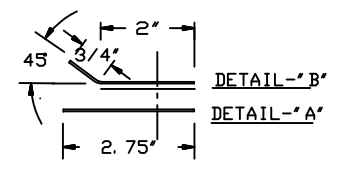
REVISIONS		DATE
LTR	DESCRIPTION	



CONNECTOR LINK DETAIL-"D"
 MAT: 1/4" SS PLATE
 QTY: 4 PCS PER HS CONNECTOR
 SCALE: FULL



ANCHOR POINT/BOLT DETAIL-"E"
 QTY: 4 PER HS CONNECTOR
 SCALE: FULL



STANDARD DUTY ROPE THIMBLE, DETAIL-"F"
 QTY: 2 PER END CNCTR.
 4 PER H.S. CNCTR

TOLERANCES UNLESS OTHERWISE SPECIFIED STICK TO ASTM STANDARDS		CONTRACT NO.		LAMOR USA	
DIMENSION	TOLERANCE	DRAWN	JJS	DATE	6/10/97
0.000	± 0.010	CHECKED		DATE	
FRACTIONS (MACHINED)	± 1/32	APPROVED		DATE	
FRACTIONS (WELDMENT)	± 1/16	DESIGN ACTIVITY		DATE	
ANGLES	± 0.5°	APPROVAL			
PERPENDICULARITY WITHIN 0.005/10'					
CENTRICITY WITHIN 0.002 T.I.R.					
MATERIAL					
REF 15B4120	HEAT TREAT				
REF 15B4011	USED ON				
APPLICATION	FINISH				
		FSCM NO.	56494	DWG NO.	15D5363
		SCALE:	1/2	SHEET	