

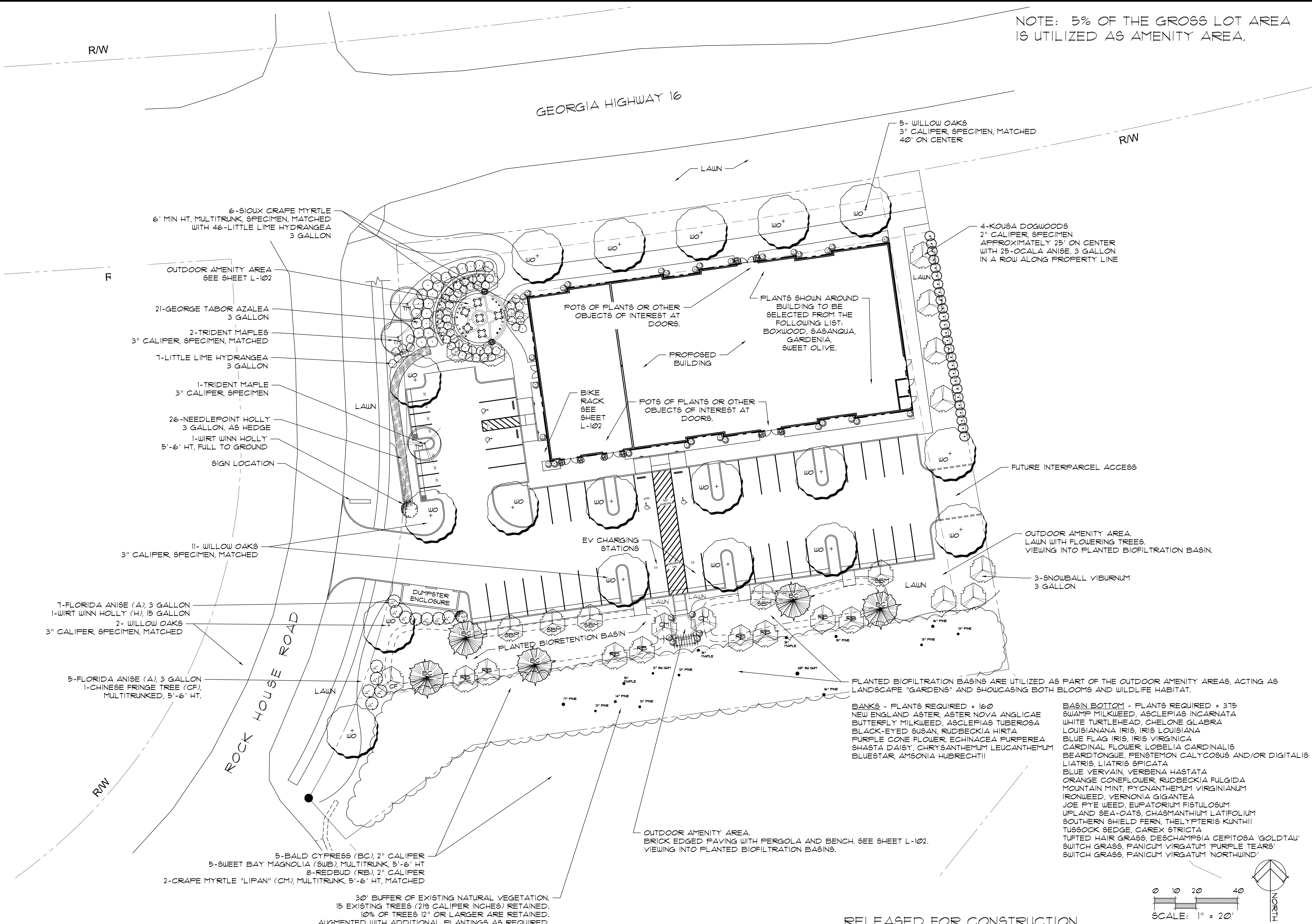
NOTE: 5% OF THE GROSS LOT AREA IS UTILIZED AS AMENITY AREA.

Scott Colomb
Landscape Architect
Incorporated
2528 Highway 54, Moreland, GA 30259
www.scottcolomb.com
770-309-7062

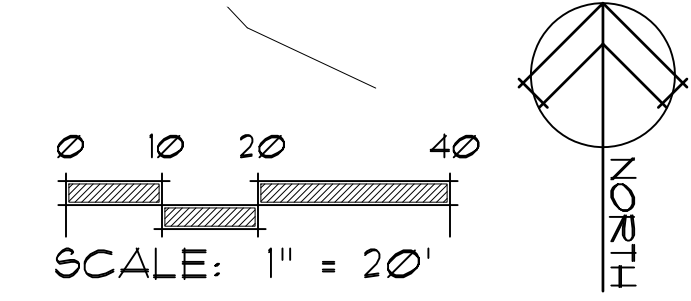


This drawing and any reproductions are the property of Scott Colomb Landscape Architect, Inc. and may not be published, reproduced, or used in any way without prior written permission.

ROCKHOUSE BEVERAGE
ROCKHOUSE ROAD AT HIGHWAY 16
SENOIA, GEORGIA 30276



- PLANTED BIOFILTRATION BASINS ARE UTILIZED AS PART OF THE OUTDOOR AMENITY AREAS, ACTING AS LANDSCAPE "GARDENS" AND SHOWCASING BOTH BLOOMS AND WILDLIFE HABITAT.
- BANKS - PLANTS REQUIRED = 160**
 NEW ENGLAND ASTER, ASTER NOVA ANGLICAE
 BUTTERFLY MILKWEED, ASCLEPIAS TUBEROSA
 BLACK-EYED SUSAN, RUDBECKIA HIRTA
 PURPLE CONE FLOWER, ECHINACEA PURPUREA
 SHASTA DAISY, CHRYSANTHEMUM LEUCANTHEMUM
 BLUESTAR, AMSONIA HUBRECHTII
- BASIN BOTTOM - PLANTS REQUIRED = 375**
 SWAMP MILKWEED, ASCLEPIAS INCARNATA
 WHITE TURTLEHEAD, CHELONE GLABRA
 LOUISIANA IRIS, IRIS LOUISIANA
 BLUE FLAG IRIS, IRIS VIRGINICA
 CARDINAL FLOWER, LOBELIA CARDINALIS
 BEARDTONGUE, PENSTEMON CALYCOSUS AND/OR DIGITALIS
 LIATRIS, LIATRIS SPICATA
 BLUE VERVAIN, VERBENA HASTATA
 ORANGE CONEFLOWER, RUDBECKIA FULGIDA
 MOUNTAIN MINT, Pycnanthemum virginianum
 IRONWEED, VERNONIA GIGANTEA
 JOE PYE WEED, EUPATORIUM FISTULOSUM
 UPLAND SEA-OATS, CHASMANTHIUM LATIFOLIUM
 SOUTHERN SHIELD FERN, THELYPTERIS KUNTHII
 TUSSOCK SEDGE, CAREX STRICTA
 TUFTED HAIR GRASS, DESCHAMPSIA CEPITOSEA 'GOLDTAU'
 SWITCH GRASS, PANICUM VIRGATUM 'PURPLE TEARS'
 SWITCH GRASS, PANICUM VIRGATUM 'NORTHWIND'



RELEASED FOR CONSTRUCTION

REVISIONS:

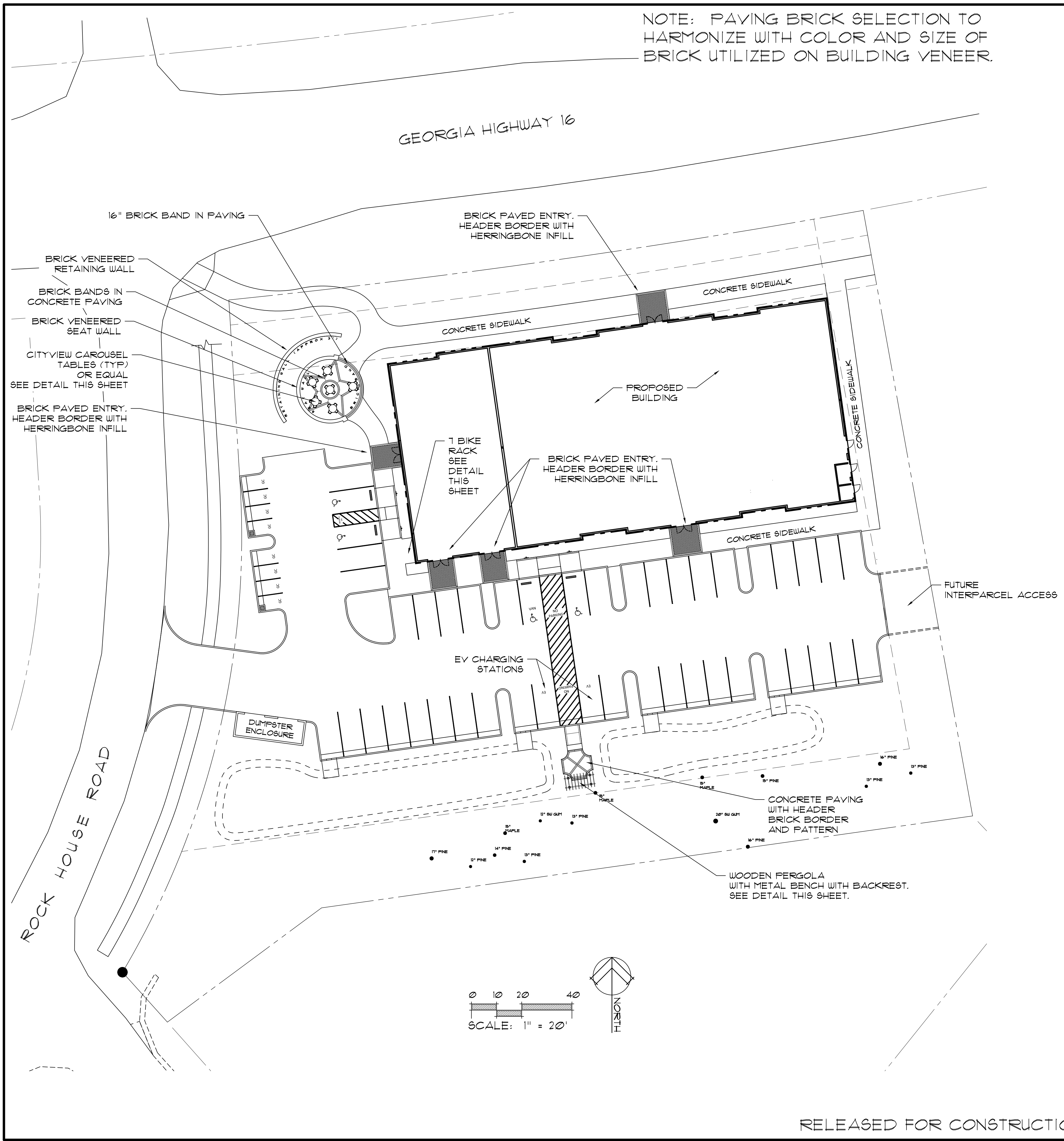
10/5/23	- ADD SIDEWALK ALONG ROCK HOUSE ROAD, REVISE 800 LINES ACCORDINGLY.

SHEET TITLE:
Landscape Plan

DATE: 9/1/23

SHEET: **L-101**

30' BUFFER OF EXISTING NATURAL VEGETATION.
 15 EXISTING TREES (2 1/2" CALIPER INCHES) RETAINED.
 10% OF TREES 12" OR LARGER ARE RETAINED.
 AUGMENTED WITH ADDITIONAL PLANTINGS AS REQUIRED.



PLAZA STRAP METAL BENCH WITH BACKREST
 AVAILABLE FROM KAY PARK RECREATION, KAYPARK.COM OR EQUAL
 48" LENGTH, BLACK OR BRONZE COLOR



LOOP STYLE BIKE RACK
 AVAILABLE FROM KAY PARK RECREATION, KAYPARK.COM OR EQUAL
 1 BICYCLE CAPACITY, BLACK OR BRONZE COLOR
 1 1/2" OD STEEL TUBE (SCHED 40) MINIMUM



CityView Vertical Strap Tables

CityView Carousel Tables
 A popular vertical strap design, the CityView collection is suited for many urban seating solutions. In addition to requiring only minimal assembly, these tables remain almost maintenance free.

Standard Table Options
 The CityView tables are available with round or square table tops in sizes of:
 - 36 in.
 - 48 in.

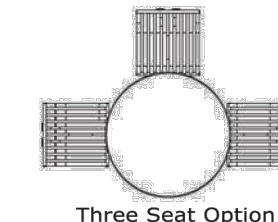
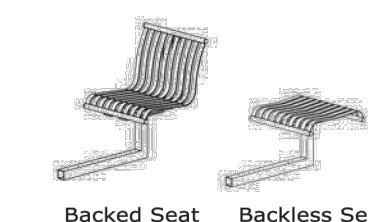
Materials
 Seat straps - 1/4" x 1 1/2" steel flat bar
 Seat support straps - 3/8" x 3" steel flat bar
 Solid Table top - 14 ga. spun stainless steel table top
 Center post - 4" sq. x 1/8" wall steel tubing
 Seat posts - 2 1/2" sq. x 1/8" wall steel tubing

Sustainability and LEED
 CityView tables have a minimum recycled material content of 84% of which 73% is post consumer content. This content may vary based on the product design, product material type, and interchangeable piece parts. All styles are 100% recyclable. For more information about SiteScapes' sustainable products and policies, please refer to our environmental statements.

CityView table options

Standard Seating Options
 The CityView carousel tables are available with either backed or backless seats.

Three Seat Option
 CityView carousel tables are available in units with three seats to provide for ADA compliance.



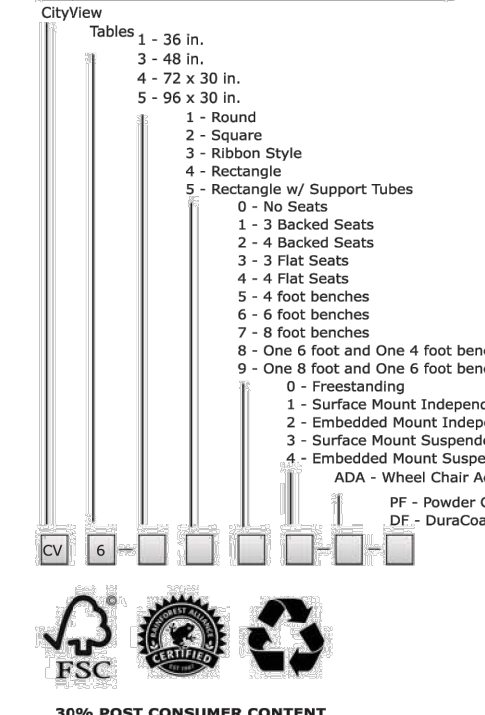
siteScapes
 888.331.9464 402.421.9479 fax
 P.O. Box 22326 Lincoln, NE 68542
 www.sitescapesonline.com
 info@sitescapesonline.com

Pictured this page:
 left: CityView 48 inch, round, backed seat, carousel tables CV6-3120 (Onyx), top right: CityView 48 inch, round, backed seat, carousel tables CV6-3120 (Silver), bottom right: CityView 48 inch, round, backed seat, carousel table with umbrella CV6-3120 (Brandy).

Finishes
 SiteScapes offers product in both a standard powdercoat and its own proprietary Duarcoat finish. Both finishes are designed to weather the elements and are guaranteed not to rust, chip, peel, or fade. Call for a standard color chart.

www.sitescapesonline.com
 For more information visit our website where you can download product drawings, photos, product brochures, CSI specs, and other technical data.

To Specify CityView Tables



CITYVIEW CAROUSEL TABLE
 36" DIAMETER ROUND TABLE, BLACK OR BRONZE COLOR

Scott Colomb
 Landscape Architect
 Incorporated
 2528 Highway 54, Moreland, GA 30259
 www.scottcolomb.com
 770-309-7062



This drawing and any reproductions are the property of Scott Colomb Landscape Architect, Inc. and may not be published, reproduced, or used in any way without prior written permission.

ROCKHOUSE BEVERAGE
 ROCKHOUSE ROAD AT HIGHWAY 16
 SENOIA, GEORGIA 30276

REVISIONS:
 10/5/23 - ADD SIDEWALK ALONG ROCK HOUSE ROAD.

SHEET TITLE:
Hardscape Plan

DATE: 9/4/23

SHEET: L-102